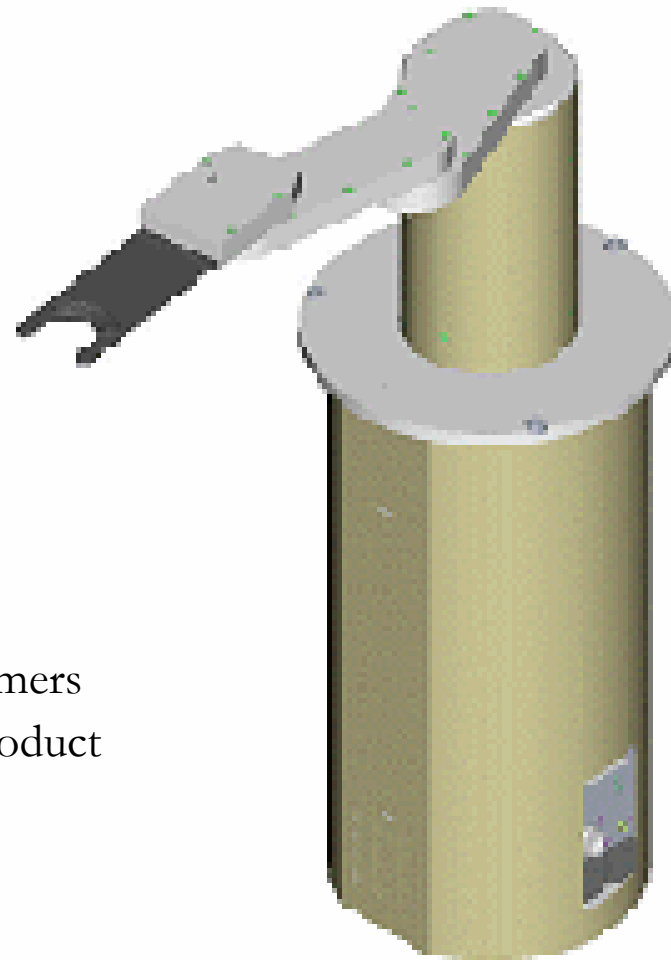




WTS: ATR[®]8 Upgrade

Upgrade Acutran[®]7 (ATR7)

- Replacement of the legacy ATR7 robot with the state of the art ATR8 robot.
- Superior robot controls combined with continuous rotation capability enable the highest possible operating speeds.



Value Proposition:

- The ATR8 vacuum robot upgrade is for Customers looking to enhance capabilities and improve product reliability with Brooks' direct drive technology



WTS: ATR[®]8 Upgrade

Features

- Direct drive technology
- Minimum particle contamination
- DSP (digital signal processors) based controller for optimal high speed motion
- No dynamic seals, no drive belt, no rotating cables
- Continuous rotation capability
- Brooks patented Time Optimal Trajectory control allows for smooth, continuous path
- ATR Passive safety feature – user programmable access zones
- Class 1 Clean room environment

Benefits

- Increased reliability > 12 Million MCBF
- Improved noise resistance
- CE compliance
- RF emission reduction
- Electrical compliance
- Cost efficient