

CTI-Cryogenics® 9700A Compressor

*Single and Multiple Pump
Capability*

*Supports Remote Control for
Ease of Operation in Remote
Compressor Installations*

*Ease of Use, with Three-year
Maintenance-free Operation
Between Adsorber Changes*

Backed by GUTS®

The 9700A Compressor is based on Helix Technology's 9600 Compressor platform for highest reliability in cryopump compressor technology. With increased helium output, the 9700A Compressor is ideal for operating multiple cryopumps.

In many multiple cryopump and waterpump applications, one 9700A Compressor provides a single compressor solution. The 9700A

Compressor reduces power consumption, water distribution and footprint when compared to multiple compressor applications. The 9700A Compressor is compatible with Cryo-Torr® and On-Board® Cryopumps.

An integrated cryopump power frequency converter assures maximum cryopump performance in both 50 and 60Hz applications for all Helix vacuum pumps.

The 9700A Compressor includes a robust, all welded construction for high helium circuit reliability.



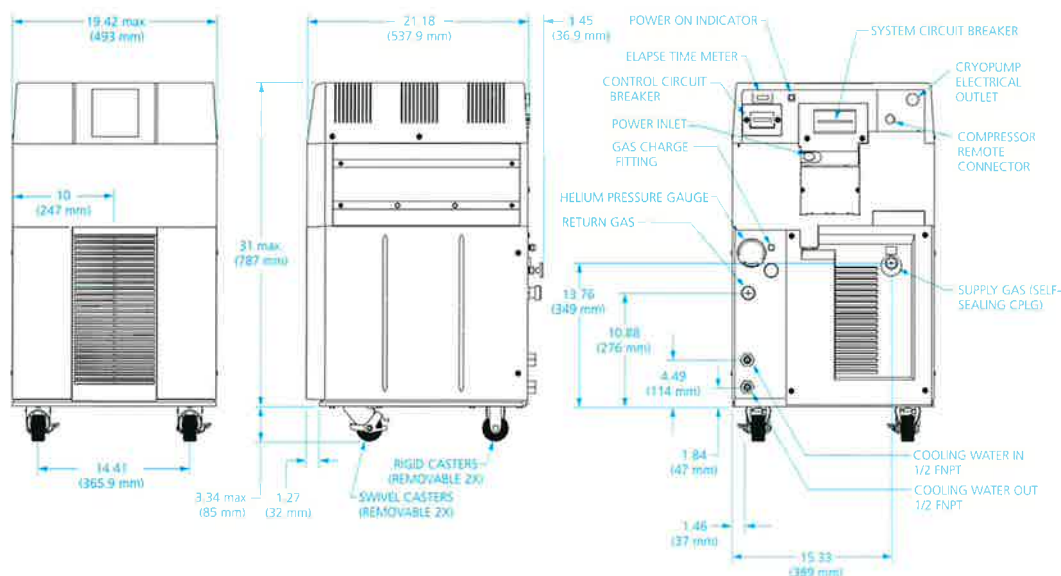
HELIX

Easy to Set Up and Use

The 9700A Compressor has been designed for fast unpacking, fast setup, and ease of use. Its power, helium, and water hookups are all easily accessible for fast installation. Circuit protection is provided by a single row of resettable breakers conveniently located on the rear panel.

9700A Compressor Specifications

Dimensions	34.34" h x 19.42" w x 21.18" d (871mm h x 493mm w x 537.9mm d)
Weight	350 lbs (159 kg)
Operating Voltage	
50 Hz Input	180-253 Vac (3 phase)
60 Hz Input	190-253 Vac (3 phase)
Input power	5.8kW
Cooling water	2 GPM to 4 GPM



Backed by GUTS

All CTI-Cryogenics products are backed by the GUTS (Guaranteed Uptime Support) rapid response network, our unique, comprehensive customer support program. When you call a GUTS service center, you are guaranteed immediate, competent response and action by a vacuum expert from our world-wide technical support staff. We're at work for you 24 hours a day, 365 days a year. 1-800-FOR-GUTS (800-367-4887).



Helix Technology Corporation
 Massachusetts Operations
 Nine Hampshire Street, Mansfield, Massachusetts 02048 USA
 Telephone: (508) 337-5000 Toll free in USA (800) CTI-CRYO Fax: (508) 337-5169
 email: marketingcommunications@helixtechnology.com Visit us online at: www.helixtechnology.com

Copyright© 2002 Helix Technology Corporation. All rights reserved. Printed in USA.
 CTI-Cryogenics, On-Board, Cryo-Torr and GUTS are registered trademarks of Helix Technology Corporation.