



Micro-Ion® ATM Gauge Removal and Replacement Procedure

GRANVILLE-PHILLIPS
HELIX TECHNOLOGY CORPORATION

Service Bulletin



Service bulletin part number 390400

Revision 01

July 2005

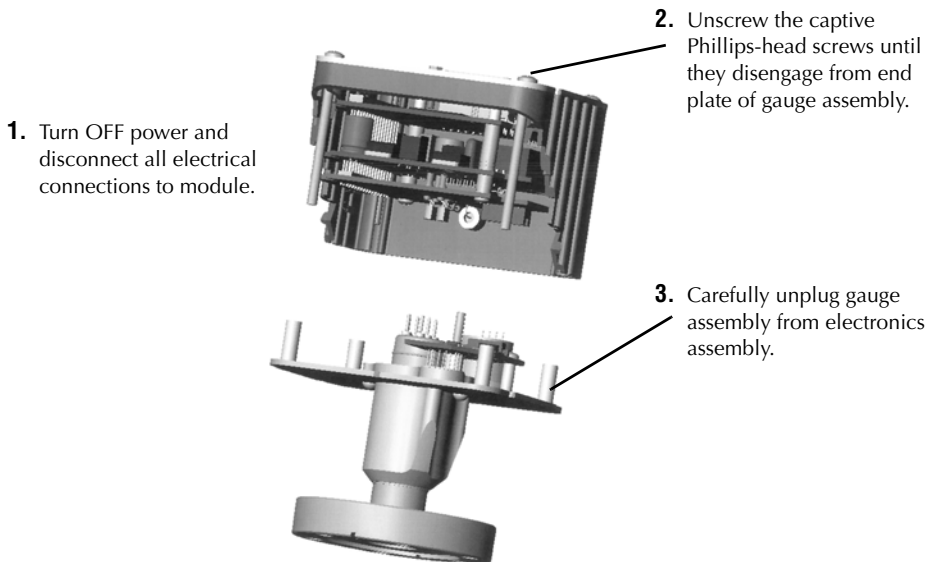
Micro-Ion® ATM Gauge Removal and Replacement Procedure

Removing the Micro-Ion ATM gauge

Do not plug in or unplug any connectors with power applied to the module. Disconnect power from the module before replacing the gauge assembly.

1. Turn OFF power and disconnect all electrical connections to the Micro-Ion ATM module.
2. Disconnect the module from the vacuum chamber.
3. Unscrew the four captive Phillips-head screws until they disengage from the end plate of the gauge assembly. See Figure 1.
4. *Carefully* unplug the electronics assembly from the gauge assembly.

Figure 1 Removing Micro-Ion ATM electronics assembly



Replacing the gauge assembly

1. Insert the new gauge assembly into the electronics assembly by gently inserting the gauge pins into the socket on the circuit board. Examine the gauge pin arrangement to make sure the replacement gauge assembly and electronics assembly are aligned.
2. Tighten the four Phillips-head screws.
3. Install the module on the vacuum chamber.
4. Calibrate the module at atmospheric pressure, as instructed in the *Micro-Ion ATM Instruction Manual*.



Micro-Ion® ATM Gauge Removal and Replacement Procedure

GRANVILLE-PHILLIPS

HELIX TECHNOLOGY CORPORATION

6450 Dry Creek Parkway

Longmont, CO, U.S.A. 80503-9501
Phone 303-652-4400

9 Hampshire Street

Mansfield, MA, U.S.A. 02049-9171
Phone 508-337-5000

To obtain a copy of this service bulletin online,
visit our website at www.helixtechnology.com
(Adobe® Reader® version 5.0 or higher required)

© 2005, Helix Technology Corporation. All rights reserved. Micro-Ion and Granville-Phillips
are registered trademarks of Helix Technology Corporation. All other trademarks and
registered trademarks are the properties of their respective owners.

Service Bulletin



Service bulletin part number 390400

Revision 01

July 2005