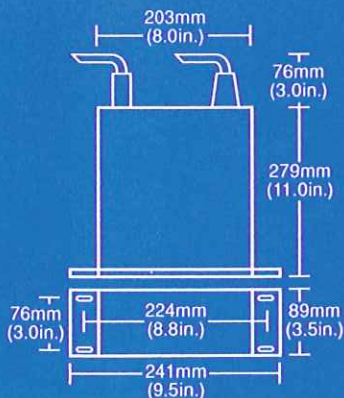


330 IONIZATION GAUGE CONTROLLER

330 CONTROLLER SPECIFICATIONS

Display	<ul style="list-style-type: none"> • type—digital (green LED) • units—Torr, mbar, Pascal (user-selectable) • update time—0.5 second typical
Controller Pressure Range	<p>Lower Measurement Limit 1×10^{-10} Torr with 10 mA emission and tube sensitivity of 10/Torr</p> <p>Upper Measurement Limit 1×10^{-1} Torr with 0.1 mA emission and tube sensitivity of 10/Torr</p> <p>Pressure Range 7 decades within limits listed above</p>
Emission Current	Controlled, adjustable from 0.01 to 10.0 mA
Ionization Gauge	Bayard-Alpert (B/A) and other compatible cathode type ionization gauges
Analog Output	Logarithmic: 1 V/decade, 0–10 Vdc
Degas (option)	I^2R : 8V, 10A maximum
IG Status Relay (option)	4A, 250 Vac resistive load or 30 Vdc
Sensitivity Adjustment Range	3/Torr to 50/Torr
Cables	3.1m (10 ft.), 7.7m (25 ft.), or 15.4m (50 ft.)
Controller Weight	4.8kg (10.5 lb.)
Operating Temperature	0–40 °C
Power Input	100/115/215/230 ± 10% Vac (user selectable) 100 watts, 50 or 60 Hz
Controller Dimensions	(allow 76mm (3 in.) depth for connectors)



Features/General Information

Now there is an affordable, compact ionization gauge controller for the user who requires high performance and reliability to meet basic gauging requirements.

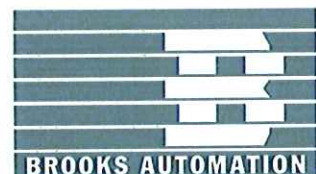
Granville-Phillips' 330 Ionization Gauge Controller (IGC) measures pressure from less than 1×10^{-10} to 1×10^{-1} Torr from a single ionization gauge and displays pressure readout via a front panel display and analog output.

The 3½ in. high modular controller is available as a bench mount or space saving half-rack unit. Infrequently used controls are housed behind a hinged front panel, reducing front panel clutter and providing ease of operation.

The 330 IGC can be ordered with factory installed resistance heating degas as an option.

Remote Input/Output is also available as a factory installed option providing IG relay status output, remote cathode On/Off and remote degas On/Off functions.

The 330 IGC is designed and built to meet the same high quality performance and reliability standards that are a part of all Granville-Phillips products.



Series 330 Ionization Gauge Controller

Description	Catalog Number
-------------	----------------

Controller, for 1 ionization gauge, with 1-line display, resistive degas, and remote input/output interface

The Series 330 is compatible with all Series 274 and 303 tubulated gauges as well as the 274028 nude gauge.

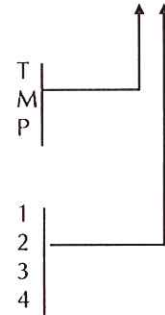
Half-rack mount	330501 - # #
Left mount for 19-inch rack	330502 - # #
Center mount for 19-inch rack	330503 - # #
Bench-top mount	330504 - # #

Display Options - Measurement units:

- Torr
- mbar
- Pa

Power Cord Options:

- North America 115 V
- North America 240 V
- Universal Europe 220 V
- United Kingdom 240 V



Example: To order a Series 330 Ion Gauge Controller with half-rack mount, display in Torr, and North America 115 V power cord, select catalog number: 330501- T1

Optional Installation Hardware (for field installation)

– Rack-mount kits

Control unit on the left or right side for 19-inch rack	307010
Control unit in the center for 19-inch rack	307011
2 control units side-by-side for 19-inch rack	307021
Bench or table top mounting	330006

Cables for:

– Tubulated glass ionization gauges

10 feet (3 meters)	303022
25 feet (7.6 meters)	303023
50 feet (15.2 meters)	303024

– Nude ionization gauges with push-on pins

10 feet (3 meters)	307046
25 feet (7.6 meters)	307047
50 feet (15 meters)	307048

– Nude ionization gauges with pin guard/locking strain relief

10 feet (3 meters)	307046-CR *
25 feet (7.6 meters)	307047-CR *
50 feet (15 meters)	307048-CR *

* Bakeable to 150 °C. For higher temperature bakeable cables contact Customer Support.

Backed by GUTS®

All Granville-Phillips products are backed by GUTS (Guaranteed UpTime Support) rapid response network, our unique, comprehensive global customer support program. When you call a GUTS service center, you are guaranteed immediate, competent response and action by a vacuum expert from our worldwide technical support staff. We're at work for you 24 hours a day, 365 days a year. 1-800-FOR-GUTS (800-367-4887)

*For more information, please contact your local Brooks Automation sales representative
or visit www.brooks.com.*

